

**"PROSTORE 900"**

Code	Model	Ref.	Page	Version	Notes
<b>110902</b>	<b>ZICF61FHC</b>	<b>d1</b>	<b>2,4,6</b>	<b>00</b>	<b>1-DOOR ICE CREAM PRESERVER 720L -28/-12°</b>
190200	PS09F2F	q	3,4,6	01	2½-DOOR FREEZER 720LT,-15/-22° PROSTORE
190277	PS09F1FR	s	2,5,6	00	1-DOOR FREEZ.720LT,-15/-22°,PROSTORE,REM
190588	ZPS06F1FR	p	2,5,6	00	1-DOOR FREEZ.720LT,-15/-22°,PROSTORE,REM
190919	PS09F1FRL	r	2,5,6	00	1-DR FREEZ.720LT,-15/-22°,PROST.REM-LEFT
190CEM	PS09F1FRL	j	2,5,6	00	1-DR FREEZ.720LT,-15/-22°,PROST.REM-LEFT
<b>190CUC</b>	<b>PS09F1FR</b>	<b>e1</b>	<b>2,5,6</b>	<b>00</b>	<b>1-DOOR FREEZER 720LT,-15/-22°,PROSTORE,REM</b>
<b>190CUJ</b>	<b>PS09F1FRL</b>	<b>f1</b>	<b>2,5,6</b>	<b>00</b>	<b>1-DOOR FREEZER 720LT,-15/-22°,PROST.REM-LEFT</b>
191028	ICF61F	t	2,5,6	01	1-DOOR ICE CREAM PRESERVER 720L -28/-12°
P71354/691317	PS09F1F	a	2,4,6	01	1-DOOR FREEZER 720LT,-15/-22° PROSTORE 404a
691319	PS09F1FR	f	2,5,6	09	1-DOOR FREEZ.720LT,-15/-22°,PROSTORE,REM
P71389/691320	PS09F1FRL	e	2,5,6	09	1-DR FREEZ.720LT,-15/-22°,PROST.REM-LEFT 404a
P71390/691321	PS09F2FHC	d	3,4,6	04	2½-DR FREEZ.720LT,-15/-22°,PROSTORE-R290
P71398/691322	PS09F1FHC	b	2,4,6	01	1-DOOR RH FREEZER 720LT,-15/-22° PROST. R290
P71391/691323	PS09F1FHCL	c	2,4,6	01	1-DR FREEZ.720LT,-15/-22°,PROST.R290-LFT
P71396/691339	PS09F1FM	l	2,4,7	01	1-DR FREEZ.720L,-15/-22°,PROST,60HZ,MARz
691355	PS09F1FHC	k	2,4,6	00	1-DOOR FREEZER 720LT,-15/-22°, PROSTORE-R290
691356	PS09F1FHCL	u	2,4,6	00	1-DOOR FREEZER 720LT,-15/-22°,PROSTORE-R290-LEFT
691357	ICF61FHC	v	2,4,6	01	1-DOOR ICE CREAM PRESERVER 720L -28/-12°
691358	PS09F2FHC	w	3,4,6	00	2½-DR FREEZ.720LT,-15/-22°,PROSTORE-R290
691371	PS09F1FR	x	2,5,6	01	1-DOOR FREEZER 720LT,-15/-22°,PROSTORE,REM
691372	PS09F1FRL	y	2,5,6	01	1-DOOR FREEZER 720LT,-15/-22°,PROST.REM-LEFT
691380	PS09F1FM	z	2,4,7	01	1DR FREEZ.720L-15/-22°,PROST,50/60HZ,MAR
727491	ICF61F	m	2,4,6	10	1-DOOR ICE CREAM PRESERVER 720L -28/-12°
728839	APS06F1F	g	2,4,6	00	1-DOOR FREEZER 720LT,-15/-22°, PROSTORE
728840	APS06F1FR	h	2,5,6	00	1-DOOR FREEZ.720LT,-15/-22°,PROSTORE,REM
728841	APS06F1FHC	i	2,4,6	01	1-DOOR RH FREEZER 720LT,-15/-22° PROST. R290
728848	AICF6212F	o	2,4,6	04	2½-DR.ICE CREAM PRESERV.720L -28/-12°-RH
728849	AICF61F	n	2,4,6	04	1-DOOR ICE CREAM PRESERVER 720L -28/-12°
<b>729530</b>	<b>APS06F1FR</b>	<b>a1</b>	<b>2,5,6</b>	<b>00</b>	<b>1-DOOR FREEZER 720LT,-15/-22°,PROSTORE,REM</b>
<b>729537</b>	<b>APS09F1FHC</b>	<b>b1</b>	<b>2,4,6</b>	<b>00</b>	<b>1-DOOR FREEZER 720LT,-15/-22°, PROSTORE-R290</b>
<b>729539</b>	<b>AICF61FHC</b>	<b>c1</b>	<b>2,4,6</b>	<b>00</b>	<b>1-DOOR ICE CREAM PRESERVER 720L -28/-12°</b>

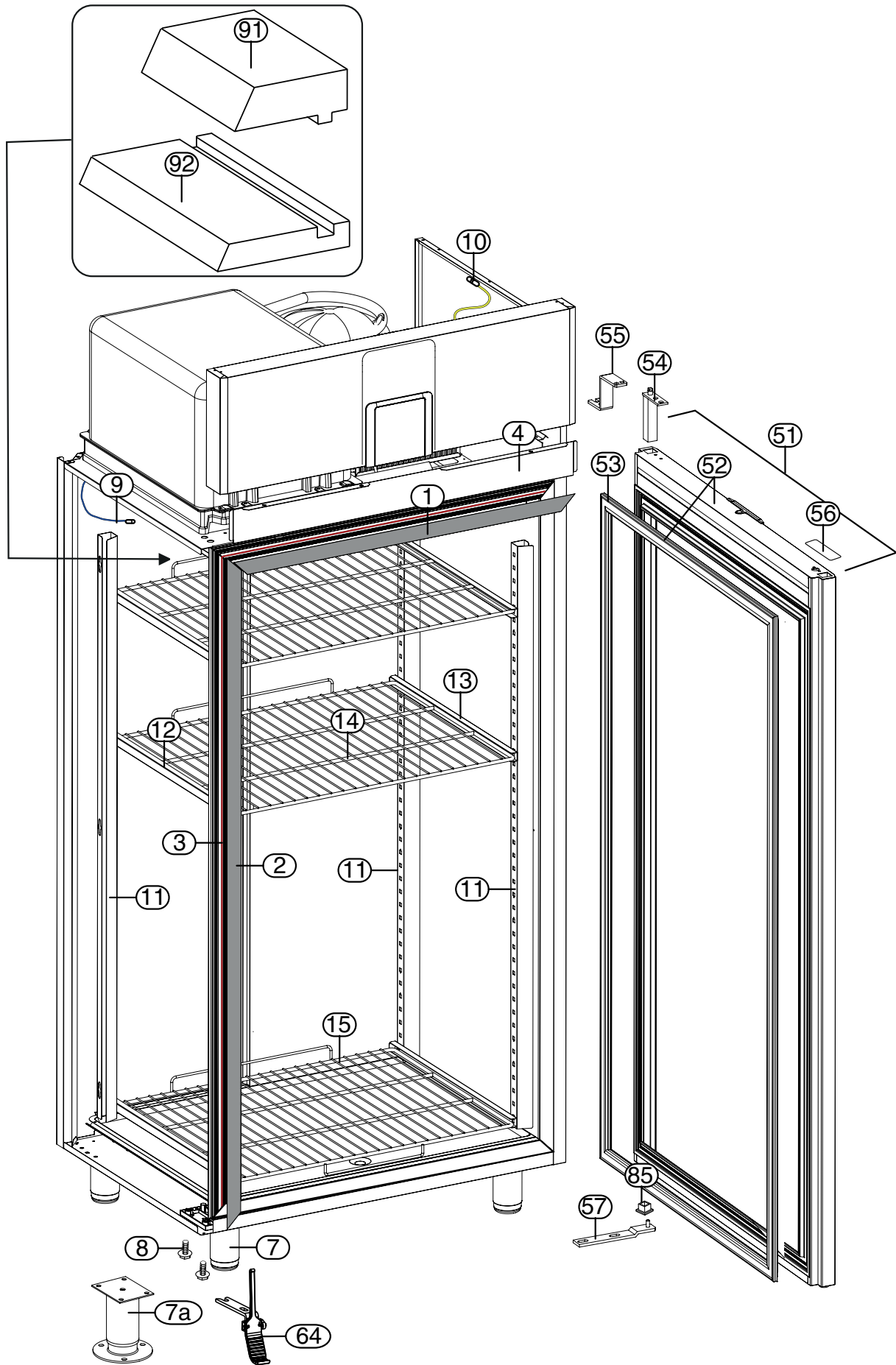
**Note:** per la corretta identificazione dei componenti, attenersi esclusivamente alle pagine indicate e alla lettera di riferimento.

**Note:** for the correct identification of the components, follow the indicated pages and the reference letter.

**Index and pages**

Rev.8	Full Door/Porta intera	2	
	Half Doors/Mezze porte	3	
	Cooling unit / Gruppo	4	
	Remote cooling unit/ gruppo remoto	5	
	Control panel/Pannello di controllo	6	Grassetto = ultima modifica Bold = last change
	Marine control panel/Pannello di controllo Marine	7	* Componenti a richiesta * Components on demand
	From Ser. Nr.3391... / Up to Ser. Nr....	Page: 1	Ed. October.-2013 Update 11-2023

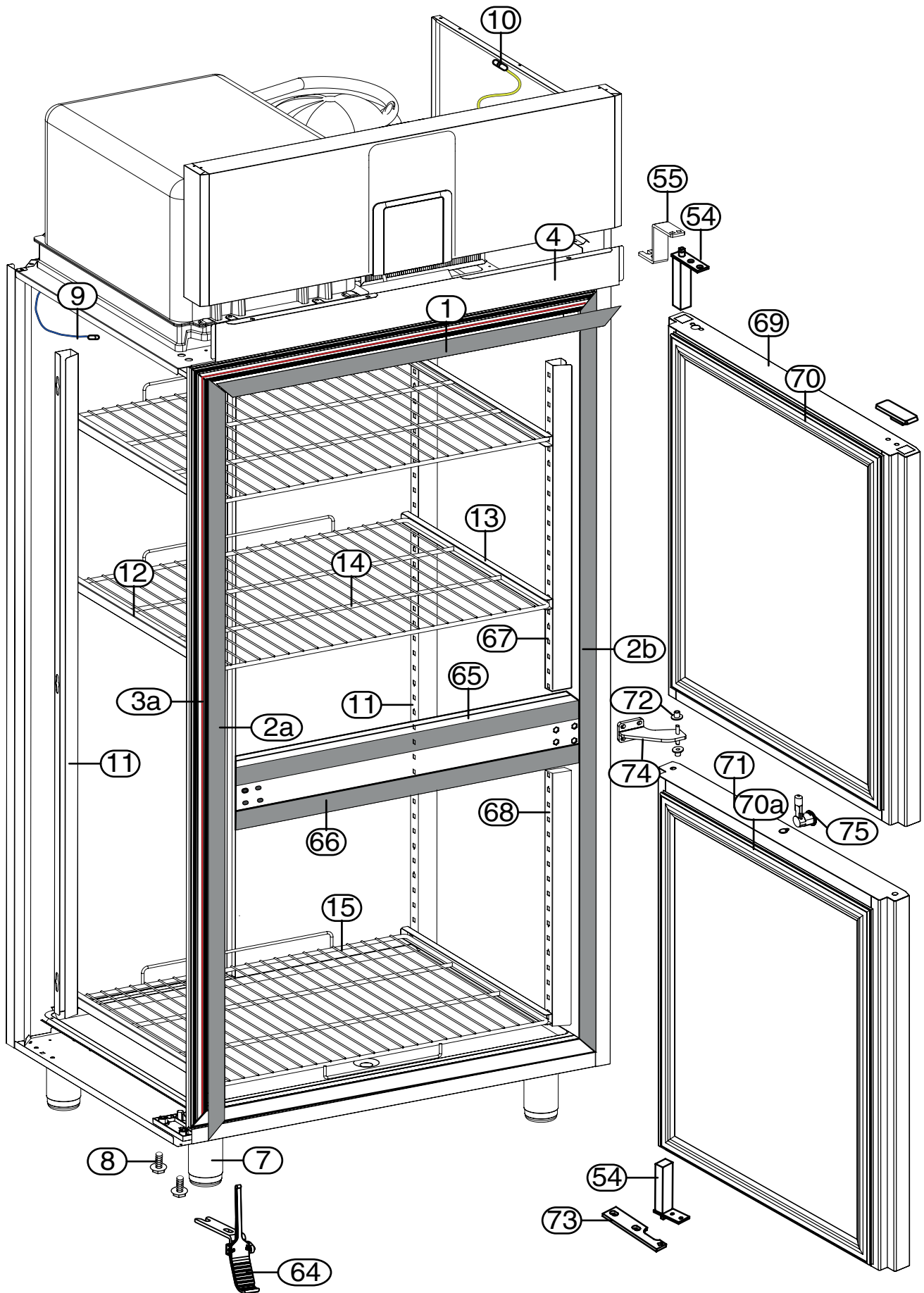
Full door



Grassetto = ultima modifica  
**Bold = last change**

\* Componenti a richiesta  
 \* Components on demand

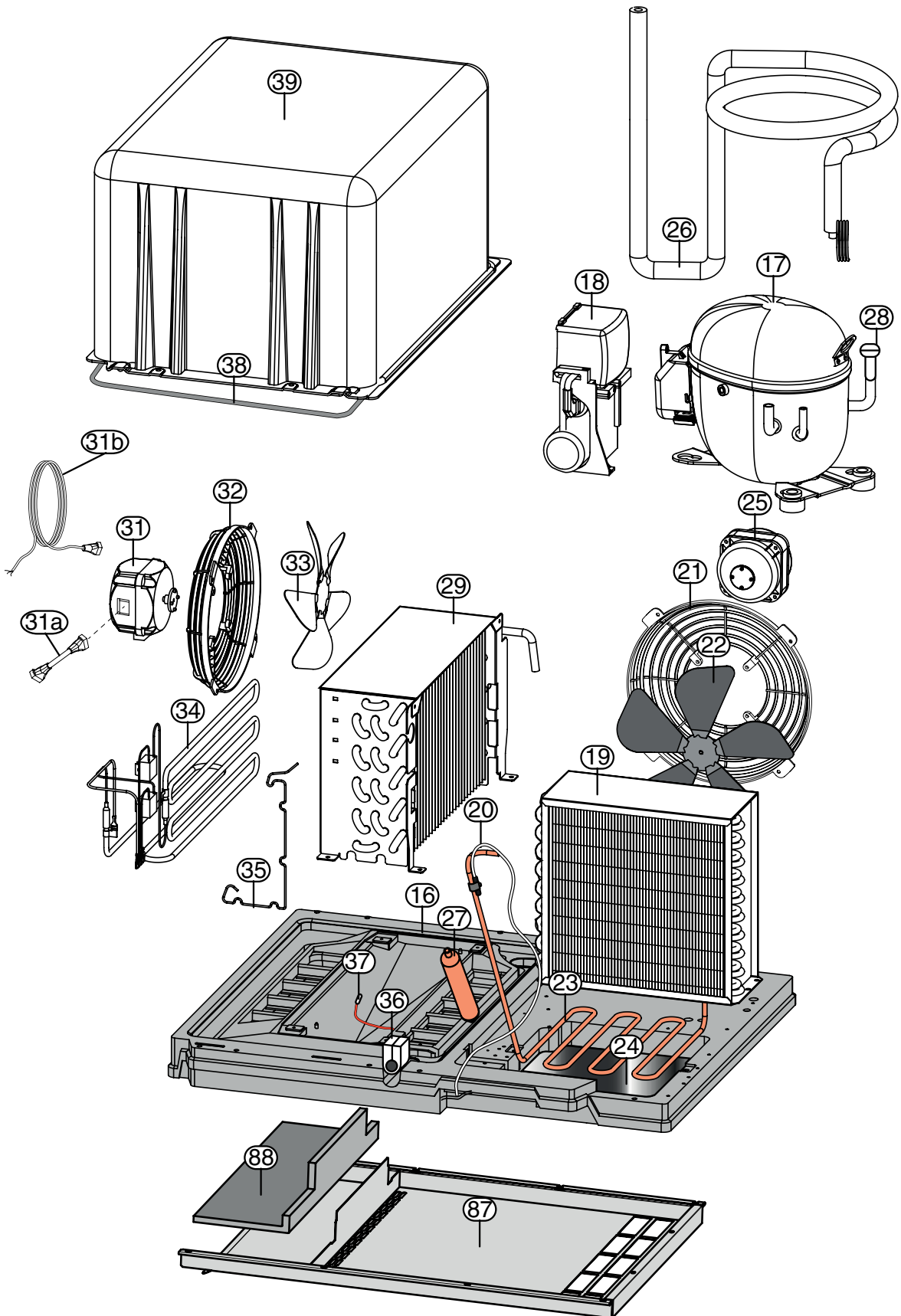
# Half doors



Grassetto = ultima modifica  
 Bold = last change

\* Componenti a richiesta  
 \* Components on demand

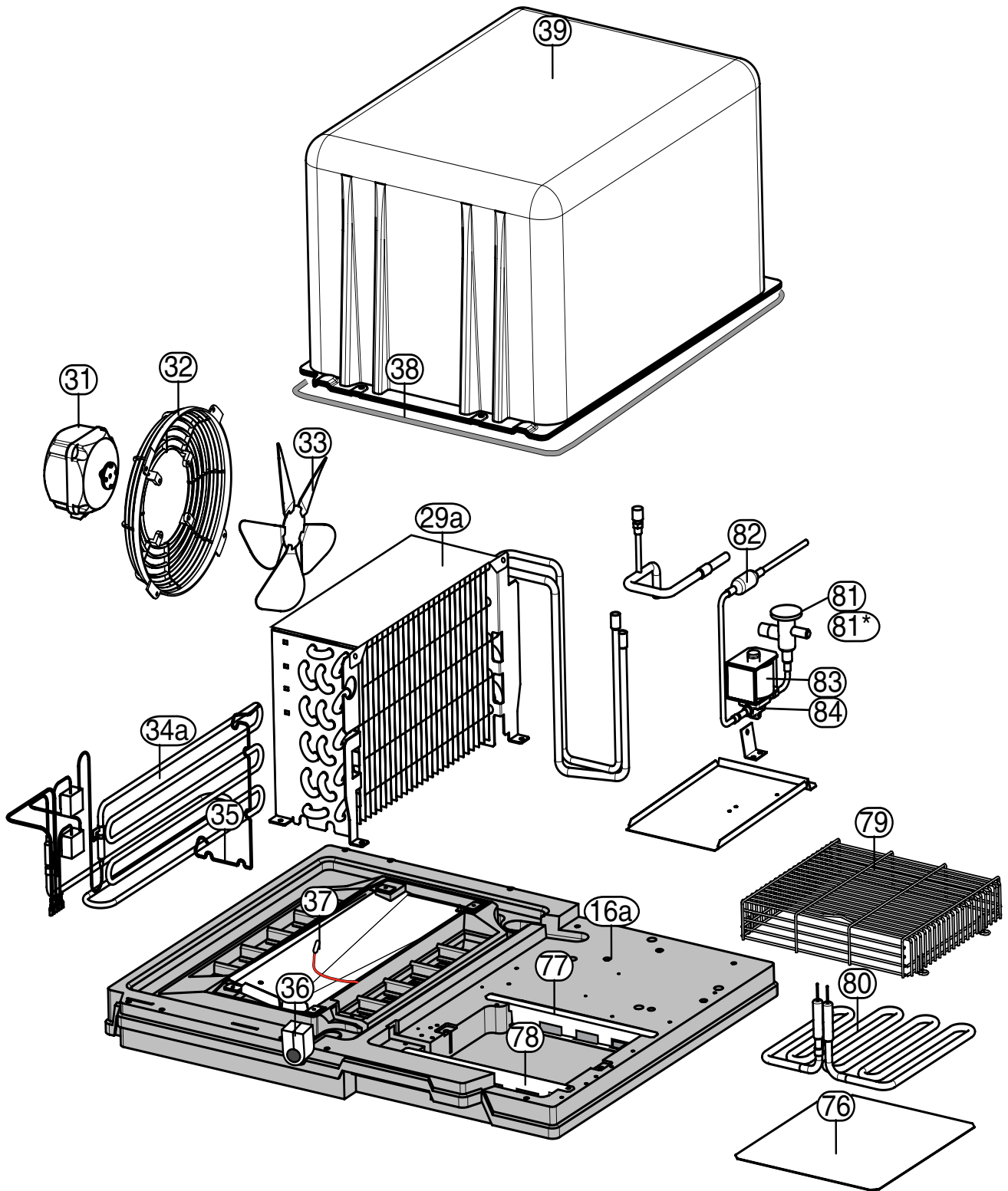
# Cooling unit



Grassetto = ultima modifica  
 Bold = last change

\* Componenti a richiesta  
 \* Components on demand

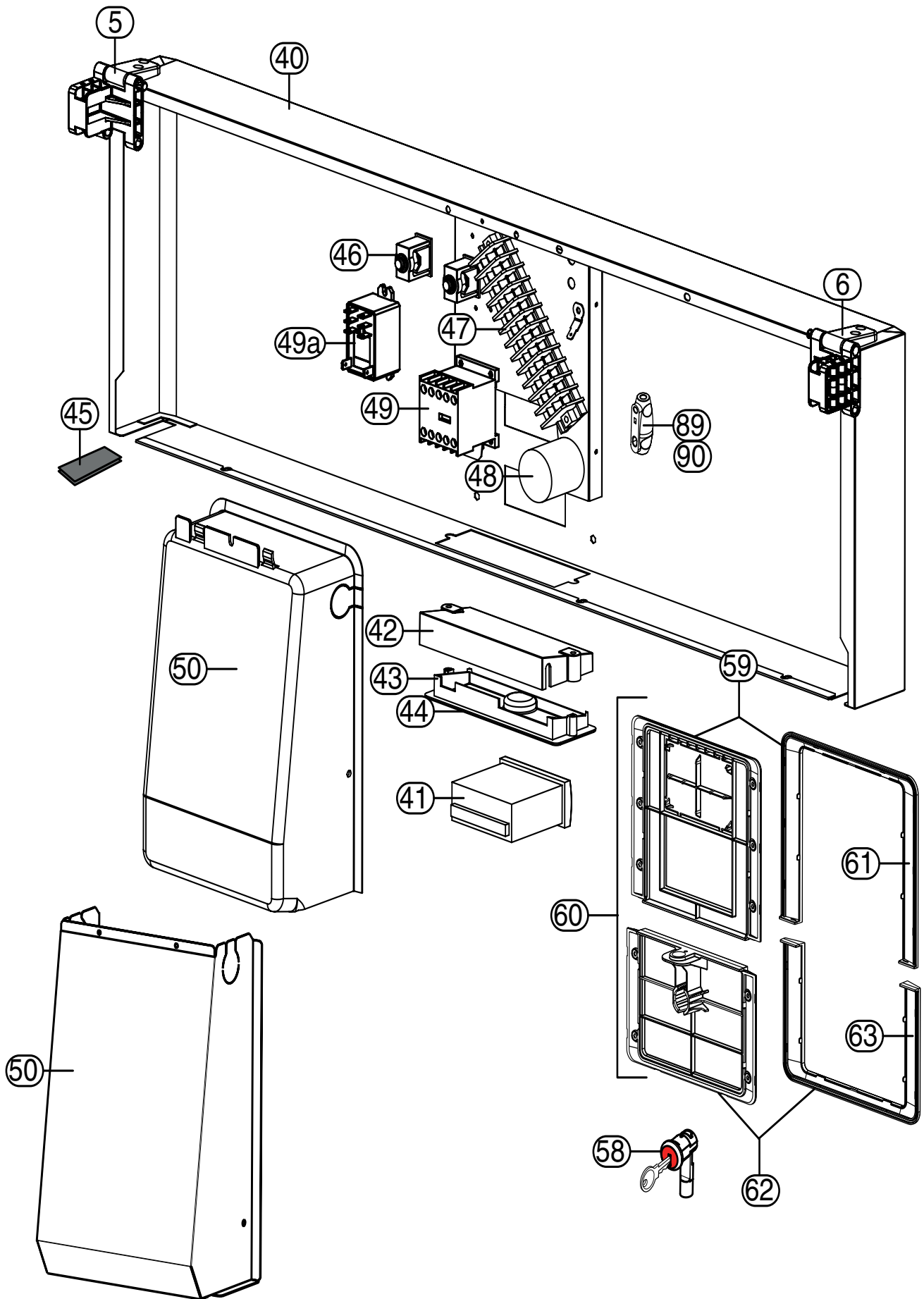
# Remote cooling unit



Grassetto = ultima modifica  
 Bold = last change

\* Componenti a richiesta  
 \* Components on demand

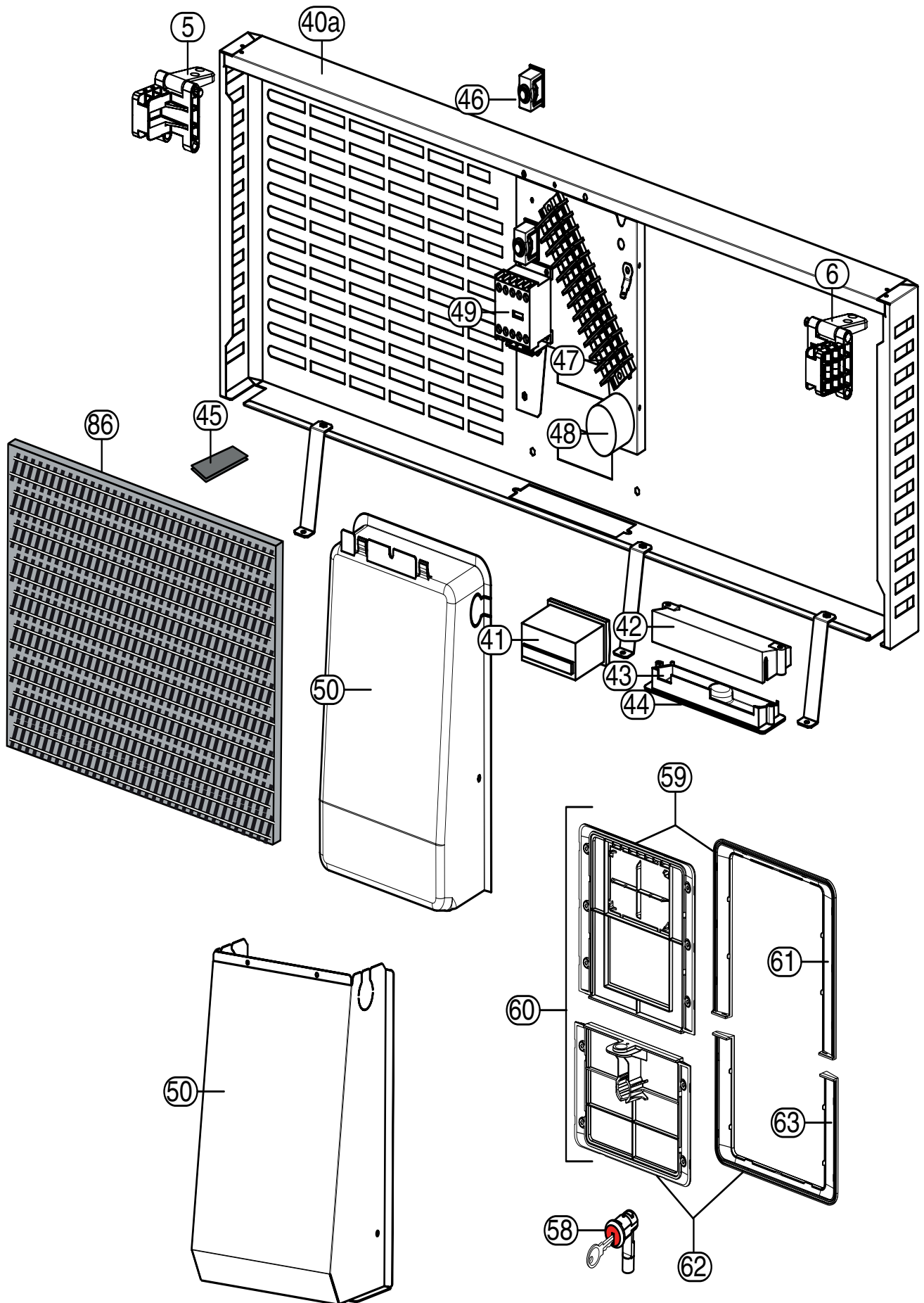
# Control panel



Grassetto = ultima modifica  
**Bold = last change**

\* Componenti a richiesta  
 \* Components on demand

# Marine control panel



Grassetto = ultima modifica  
 Bold = last change

\* Componenti a richiesta  
 \* Components on demand

Pos	Code	Factory code	Descrizione	Description	Ref./Notes
1	094091	832R15000	Cornice orrizzontale sup/inf	Upper/lower gasket frame	
2	094092	832R15100	Cornice dx e sx	Vertical gasket frame right /left	a,b,c,g,i,k,l,m,n,u,v,z,b1,c1,d1
2a		832R17200	Cornice verticale sx	Vertical gasket frame left	d,o,q
2b		832R17200	Cornice verticale dx	Vertical gasket frame right	d,o,q
3	094095	617R08700	Cavo riscaldante 5w/mt	Hot frame cable 5 w/mt	a,b,c,g,i,k,l,m,n,u,v,z,b1,c1,d1
3a	094096	617R09500	Cavo riscaldante 5w/mt	Hot frame cable 5 w/mt	d,o,q
4		501R90001	Copertura frontale	Front cover	
4		502R59400	Copertura frontale	Front cover	m,n,d,o,q,v,w,c1,d1
5	093609	832R10100	Cerniera cruscotto dx	Right hinge for control panel	
6	093610	832R10200	Cerniera cruscotto sx	Left hinge for control panel	
7	093243	541R05001	Piedino	Foot	
7a	094098	518R03900	Piedino Marine	Marine foot	
8	093245	217555204	Vite 7 X20	Screw 7X20	
9	092173	646R06700	Sonda cella 1500 mm 6x20 Blu	Cell probe 1500mm 6x20 Blue	Not for t
10	093371	646R10900	Sonda ambiente 2000 mm 6x20 gialla	Ambient probe 2000 mm 6x20 yellow	a,b,c,d,g,i,k,l,m,n,q,u,v,w,z,b1,c1,d1
11	094099	501R90902	Cremagliera	Rack support	a,d,q,w
11	094178	502R40800	Cremagliera	Rack support	m,n,o,v,c1,d1
12	094101	501R91201	Guida sx	Left support	a,m,n,d,o,q
12	094102	501R97201	Guida sx	Left support	
13	094103	501R91301	Guida dx	Right support	a,m,n,d,o,q,v,w,c1,d1
13	094104	501R97301	Guida dx	Right support	
14	094105	514R14900	Griglia	Shelf	a,q
14	092315	542R00400	Griglia	Shelf	m,n,o
14	097003	514R21600	Griglia	Shelf	k,u,w,x,y,z,a1,b1,e1,f1
15	094106	514R15000	Griglia di fondo	Bottom shelf	a,b,c,d,g,i,k,l,o,q,u,w,z,b1
16	094107	546R29700	Supporto gruppo	Cooling support	a,b,c,d,g,i,k,l,m,n,o,q,u,v,w,z,b1,c1,d1
16a	094108	546R30200	Supporto gruppo per remoto	Cooling support "remote"	e,f,h,r,s,t,x,y,a1,e1,f1
17	094109	684R09100	Compressore NT2178GK	Compressor NT2178GK	a,g,l,q (404A)
17	093422	684R05800	Compressore NT2170U	Compressor NT2170U	b,c,d,i,m,n,o (R290)
17	094840	684R11900	Compressore NEU2168U	Compressor NEU2168U	k,u,v,w,b1,c1,d1 (R290)
18	*	*	Electrical box	Electrical box	a,b,c,d,g,i,k,o,q,u,w,b1
19	093333	830R04900	Condensatore alettato	Condenser	a,b,c,d,g,i,k,l,m,n,o,q,u,v,w,z,b1,c1,d1
20	092360	646R09400	Sonda condensatore NTC	Condenser probe NTC	a,b,c,d,g,i,k,l,m,n,o,q,u,v,w,z,b1,c1,d1
21	089755	546709500	Griglia supporto ventilatore cond.	Condenser fan protection	a,b,c,d,g,i,k,l,m,n,o,q,u,v,w,z,b1,c1,d1
22	089697	511708800	Ventola 230 31 condensatore	Condenser Fan 230 31	a,b,c,d,g,i,k,l,m,n,o,q,u,v,w,z,b1,c1,d1
23	094110	515R23400	Serpentina condensatore	Condenser hot pipe	a,b,c,d,g,i,l,m,n,o,q
23	097048	515R46700	Serpentina condensatore	Condenser hot pipe	k,u,v,w,b1,c1,d1

Grassetto = ultima modifica  
Bold = last change

\* Componenti a richiesta  
\* Components on demand



Pos	Code	Factory code	Descrizione	Description	Ref./Notes
24	099871	502770300	Protezione fondo serpentina	Bottom protect. conden. hot pipe	a,b,c,d,g,i,k,l,m,n,o, q,u,v,w,z,b1,c1,d1
25	093334	682R05300	Ventilatore condensatore	Condenser Fan VN 10 20	a,b,c,d,g,i,l,m,n,o,q
25	094184	682R07700	Ventilatore condensatore LIONBALL	Condenser Fan LIONBALL	l,z
25	096482	682R12700	Ventilatore condensatore NIQ3212	Condenser Fan NIQ3212	a,b,c,d,g,i,k,l,m,n, o,q,u,v,w,b1,c1,d1
26	094111	858R13100	Scambiatore con capillare	Heat exchanger with capillary	a,g,l
26	094481	858R13500	Scambiatore con capillare	Heat exchanger with capillary	z
26	094112	858R13000	Scambiatore con capillare	Heat exchanger with capillary	b,c,i,m,n,d,o
26	097053	858R18300	Scambiatore con capillare	Heat exchanger with capillary	k,u,v,w,b1,c1,d1
27	084078	805729802	Filtro deidratore gr 40	Dehydrator filter 40 gr	a,b,c,d,g,i,k,l,m,n,o, q,u,v,w,z,b1,c1,d1
28	0A8171	A02021800	Valvola di ricarica compressore	Schraden Valve	a,b,c,d,g,i,j,k,l,m,n, o,q,u,v,w,z,b1,c1,d1
28	085505	845713000	Valvola di ricarica compressore	Schraden Valve	e,t,y,f1
29	094113	832R16700	Evaporatore 3R10T330A	Evaporator	a,b,c,d,g,i,k,l,m,n, o,q,u,v,w,b1,c1,d1
29a	094203	832R17001	Evaporatore per remoto	Evaporator for remote unit	e,f,h,r,s,t,x,y,a1, e1,f1
29a		830R02G00	Evaporatore per remoto CO2	Evaporator for remote unit CO2	j
31	093334	682R05300	Ventilatore evaporatore	Evaporator Fan	
<b>31</b>	<b>096231</b>	<b>682R12600</b>	<b>Ventilatore evaporatore</b>	<b>Evaporator Fan</b>	<b>k,u,w,b1 up to 2152</b>
<b>31</b>	<b>096995</b>	<b>682R14200</b>	<b>Ventilatore evaporatore</b>	<b>Evaporator Fan</b>	<b>k,u,w,b1 from 2162 up to 2493</b>
<b>31</b>	<b>096231</b>	<b>682R12600</b>	<b>Ventilatore evaporatore</b>	<b>Evaporator Fan</b>	<b>k,u,w,b1 from 2503</b>
31	096995	682R14200	Ventilatore evaporatore	Evaporator Fan	x,y,z,a1,e1,f1
31	093410	682R06500	Ventilatore evaporatore	Evaporator Fan	m,n,o up to 5171
<b>31</b>	<b>096661</b>	<b>682R12800</b>	<b>Ventilatore evaporatore</b>	<b>Evaporator Fan</b>	<b>m,n,o from 5181</b>
31	096661	682R12800	Ventilatore evaporatore	Evaporator Fan	v,c1,d1
<b>31a</b>	<b>097055</b>	<b>635R37900</b>	<b>Cavetto per ventilatore 096661</b>	<b>Cable for fan 096661</b>	<b>m,n,o,v,c1,d1 see TB VTX2021_04 rev3</b>
<b>31b</b>	<b>094167</b>	<b>635R16900</b>	<b>Prolunga per ventilatore 096661</b>	<b>Extension cable for fan 096661</b>	<b>m,n,o,v,c1,d1 see TB VTX2021_04 rev3</b>
32	089770	546709600	Protezione ventola evaporatore	Evaporator fan protection	
33	093783	511R01200	Ventola 200X28	Fan 200x28	
34a	094116	856R21801	Ass. Resistenza evaporatore 450W	Evaporator heating element 450W	e,f,h,r,s,t,x,y,a1, e1,f1
34	094117	617R08902	Ass. Resistenza evaporatore 450W	Evaporator heating element 450W	a,b,c,d,g,i,k,l,m,n, o,q,u,v,w,b1,c1,d1
35	094118	514R15100	Molla fissaggio resistenza	Retain spring for heating elem.	
*	093487	514R11601	Molla fissaggio termostato	Retain spring for heating elem.	
36	094119	546R30100	Tamponcino uscita tubi	Gasket pipe	
37	094120	617R08800	Resistenza scarico H20	Discharge heating element	
38	089613	569701800	Guarnizione campana	Gasket cover	
39	090079	877718902	Campana	Cover	
<b>40</b>		<b>880R94003</b>	<b>Modulo pannello comandi completo</b>	<b>Complete control panel</b>	<b>a,g,q</b>
<b>40</b>		<b>880R91104</b>	<b>Modulo pannello comandi completo</b>	<b>Complete control panel</b>	<b>b,c,d,i,m,n,o</b>
40	094123	880R92204	Modulo pannello comandi completo	Complete control panel	e,f,h,r,s
40		882R47700	Modulo pannello comandi completo	Complete control panel	t

Grassetto = ultima modifica  
Bold = last change

\* Componenti a richiesta  
\* Components on demand

Pos	Code	Factory code	Descrizione	Description	Ref./Notes
40		883R46800	Modulo pannello comandi completo	Complete control panel	k,u,v,w,b1,c1,d1
40	097039	883R46900	Modulo pannello comandi completo	Complete control panel	x,y,a1,e1,f1
40a	094124	881R00905	Modulo pannello comandi completo	Complete control panel	l
40a	097054	883R47900	Modulo pannello comandi completo	Complete control panel	z
41	093437	646R10602	Termoregolatore Ir 33	Digital control iR33	
42	093387	546R19600	Coperchio supporto scheda led	Cover led light	
43	093810	855R12701	Assieme scheda led	Led light	
44	093390	569R05900	Guarnizione supporto scheda led	Led gasket	
45	093269	541R05401	Tappo fori cerniere	Plug for hinge	
46	094127	639700500	Ferma cavo	Wiring stopper	
46	0TH229	565722700	Ferma cavo	Wiring stopper	
47	093528	639R09900	Morsettiera	Clamp	
48	096636	694R00502	Filtro antidisturbo	Electrical filter	
49	088557	648727100	Teleruttore K1 09D10 230	Switch/contactor	a,g,i,q,b1
49a	093848	648R06300	Relè 66.82.8.230.0001	Relay	b,c,d,i,k,m,n,o,u,v,w,b1,c1,d1
50	095867	546R30800	Copertura termoregolatore	Back protection for control panel	a,b,c,d,e,f,g,h,i,j,l,m,n,o,p,q,r,s,t
50	097016	504R26100	Copertura termoregolatore	Back protection for control panel	k,u,v,w,x,y,z,a1,b1,c1,d1,e1,f1
<b>51</b>	<b>094129</b>	<b>880R90006</b>	<b>Porta completa con cerniere</b>	<b>Door complete with hinge</b>	<b>a,b,c,e,f,g,h,i,k,l,m,n,r,s,u,v,x,y,z,a1,b1,c1,d1,e1,f1</b>
<b>52</b>	<b>094130</b>	<b>875R24104</b>	<b>Porta con guarnizione</b>	<b>Door with gasket</b>	<b>a,b,c,e,f,g,h,i,k,l,m,n,r,s,u,v,x,y,z,a1,b1,c1,d1,e1,f1</b>
53	094155	548R08600	Guarnizione porta	Door gasket	a,b,c,e,f,g,h,i,k,l,m,n,r,s,u,v,x,y,z,a1,b1,c1,d1,e1,f1
54	082219	835704001	Cerniera superiore	Upper hinge door	
55	094131	505R15802	Staffa superiore	Upper braket door	
56	093271	541R05301	Tappo foro cerniera	Plug door	
57	087792	800732701	Staffa inferiore	Lower braket door	a,b,c,e,f,g,h,i,k,l,m,n,r,s,u,v,x,y,z,a1,b1,c1,d1,e1,f1
58	093345	833R20900	Serratura porta	Lock	
59		855R10200	Ass. mascherina cruscotto elux	Template control panel elux	a,b,c,d,e,f,k,l,m,q,r,s,u,v,w,x,y,z,d1,e1,f1
59		855R10400	Ass. mascherina cruscotto apx	Template control panel apx	g,h,i,a1,b1
59		855R13400	Ass. mascherina cruscotto apx ice	Template control panel apx ice	n,o,c1
60	093383	855R11102	Ass.masch., porta e crusc. elux	Templete door and cont. pan. elux	a,b,c,d,e,f,k,l,m,q,r,s,u,v,w,x,y,z,e1,f1
60	093384	855R11200	Ass.masch., porta e crusc. zan	Templete door and cont. pan. zan	d1
60	093385	855R11300	Ass.masch., porta e crusc. apx	Templete door and cont. pan. apx	g,h,i,a1,b1
60		855R13300	Ass.masch., porta e crusc. apx ice	Templete door and cont. pan. apx ice	n,o,c1
61		546R20000	Cornice cromata cruscotto elux	Crome frame template control p.	a,b,c,d,e,f,k,l,m,q,r,s,u,v,w,x,y,z,d1,e1,f1
61		546R20100	Cornice cromata cruscotto apx	Crome frame templ. control p. apx	g,h,i,n

Grassetto = ultima modifica  
 Bold = last change

\* Componenti a richiesta  
 \* Components on demand

Pos	Code	Factory code	Descrizione	Description	Ref./Notes
62		855R10501	Ass. mascherina porta elux	Templete door elux	a,b,c,d,e,f,k,l,m,q,r,s,u,v,w,x,y,z,d1,e1,f1
62		855R10700	Ass. mascherina porta apx	Templete door apx	g,h,i,a1,b1
62		855R13500	Ass. mascherina porta apx ice	Templete door apx ice	n,o,c1
63		546R20200	Cornice cromata porta elux	Crome frame template door elux	a,b,c,d,e,f,k,l,m,q,r,s,u,v,w,x,y,z,d1,e1,f1
63		546R20300	Cornice cromata porta apx	Crome frame template door apx	g,h,i,n,o,a1,b1,c1
64	094132	833R27200	Pedale apertura porta Sx	Door pedal (left)	c,e,r,u,y,f1
64	094133	833R27102	Pedale apertura porta Dx	Door pedal (right)	a,b,d,f,g,h,i,k,s,w,x,a1,b1,e1
65	*	880R97503	Modulo Traversa	Half doors support	d,o,q,w
66	094138	832R15500	Cornice traversa	Half doors frame support	d,o,q,w
67	094139	501R96401	Cremagliera anteriore superiore	Front rack upper support	d,q,w
67	094179	502R40900	Cremagliera anteriore superiore	Front rack upper support	o
68	094140	501R96501	Cremagliera anteriore inferiore	Front rack lower support	d,q,w
68	094180	502R41000	Cremagliera anteriore inferiore	Front rack lower support	o
<b>69</b>	<b>094141</b>	<b>835R36505</b>	<b>Ass. porta superiore con guarniz.</b>	<b>Upper door with gasket</b>	<b>d,o,q,w</b>
70	094158	548R09000	Guarnizione mezza porta sup	Half door gasket upper	d,o,q,w
70a	094159	548R09000	Guarnizione mezza porta inf	Half door gasket lower	d,o,q,w
<b>71</b>	<b>094142</b>	<b>835R36604</b>	<b>Ass. porta inferiore con guarnizi.</b>	<b>Lower door with gasket</b>	<b>d,o,q,w</b>
72	093392	546R21100	Boccole per cerniera	Bush for half door	d,o,q,w
73	093713	505R14200	Staffa inferiore	Lower bracket	d,o,q,w
74	093344	505R12400	Staffa centrale	Central bracket	d,o,q,w
75	093433	833R21100	Serratura mezze porte	Lock half doors	d,o,q,w
76	091483	502774400	Protezione fondo	Bottom protection	e,f,h,r,s,t,x,y,a1,e1,f1
77	091711	502773300	Distanziale posteriore	Back spacer	e,f,h,r,s,t,x,y,a1,e1,f1
78	091712	502773200	Distanziale anteriore	Front spacer	e,f,h,r,s,t,x,y,a1,e1,f1
79	099378	514744604	Griglia per resistenza	Protection heating element	e,f,h,r,s,t,x,y,a1,e1,f1
80	094143	617R09800	Resistenza di evaporazione 100W	Evaporation heating elem. 100W	e,f,h,r,s,t,x,y,a1,e1,f1
81	087334	646741000	Valvola termostatica R404A UG3	Thermostatic valve 404A UG 3	e,f,h,t,x,y,a1
81	095541	646R13900	Valvola termostatica R407C UG3	Thermostatic valve 407C UG 3	p,r,s,e1,f1
81*	089614	565717600	Isolante per valvola termostatica	Thermostatic valve insulation	e,f,h,r,s,t,x,y,a1,e1,f1
82	090229	525719000	Filtro meccanico	Mechanical filter	e,f,h,r,s,t,x,y,a1,e1,f1
83	090230	646742400	Elettrovalvola	Solenoid valve	e,f,h,r,s,t
83	094435	646R10502	Elettrovalvola	Solenoid valve	k,u,v,w,x,y,a1,b1,c1,e1,f1
84	088351	646749000	Bobina per valvola	Coil	e,f,h,j,r,s,t,x,y,a1,e1,f1 part of 094435
85	081654	544700601	Boccola per cerniera	Bush for hinge	
86	094144	546R30001	Filtro cruscotto	Filter for control panel	l,z
87		501R95900	Carter interno	Internal carter	m,n,o
87		504R27400	Carter interno	Internal carter	v,c1,d1
88		555R07600	Coibentazione interna carter	Insulation internal carter	m,n,o
89	091981	639720701	Blocchetto porta fusibile max 10A	Fuse support max 10 A	m,n,o,v,c1,d1
90		652R00400	Fusibile 2A 5X20	Fuse 2A 5x20	m,n,o,v,c1,d1
91	097049	555R12200	Compensazione gruppo	Cooling unit thermal insulation	v,c1,d1
92	097050	555R12300	Compensazione carter	Carter thermal insulation	v,c1,d1

Grassetto = ultima modifica  
Bold = last change

\* Componenti a richiesta  
\* Components on demand